

60mm sq.

San Ace 60



General Specifications

- Material Frame: Plastics (Flammability: UL94V-0),
Impeller: Plastics (Flammability: UL94V-0)
- Expected Life Refer to specifications (L10: Survival rate: 90% at 60°C ,
rated voltage, and continuously run in a free air state)
- Lead Wire ⊕red ⊖black (Sensor) yellow (Control) brown
(For models without PWM control function, there is no speed control wiring.)
- Storage Temperature ... -30°C to +70°C (Non-condensing)

60×60×20mm (Mass : 70g) 9GA type Low Power Consumption Fan



Specifications The following nos. have PWM controls, pulse sensors, and ribs.

Model No.	Rated Voltage [V]	Operating Voltage Range [V]	PWM duty cycle ^{Note#} [%]	Rated Current [A]	Rated Input [W]	Rated Speed [min ⁻¹]	Max. Airflow [m ³ /min] [CFM]	Max. Static Pressure [Pa] [inchH ₂ O]	SPL [dB(A)]	Operating Temperature [°C]	Expected Life [h]
9GA0612P6G001	12	10.8 to 13.2	100	0.26	3.12	6,850	0.88 31.1	125 0.50	43	-20 to +70	40,000/60°C (70,000/40°C)
9GA0612P6S001			100	0.15	1.80	5,500	0.70 24.7	81 0.33	36		
9GA0624P6G001	24	21.6 to 26.4	100	0.12	2.88	6,850	0.88 31.1	125 0.50	43		
9GA0624P6S001			100	0.07	1.68	5,500	0.70 24.7	81 0.33	36		

Note: Fan does not rotate when PWM duty cycle is 0%.

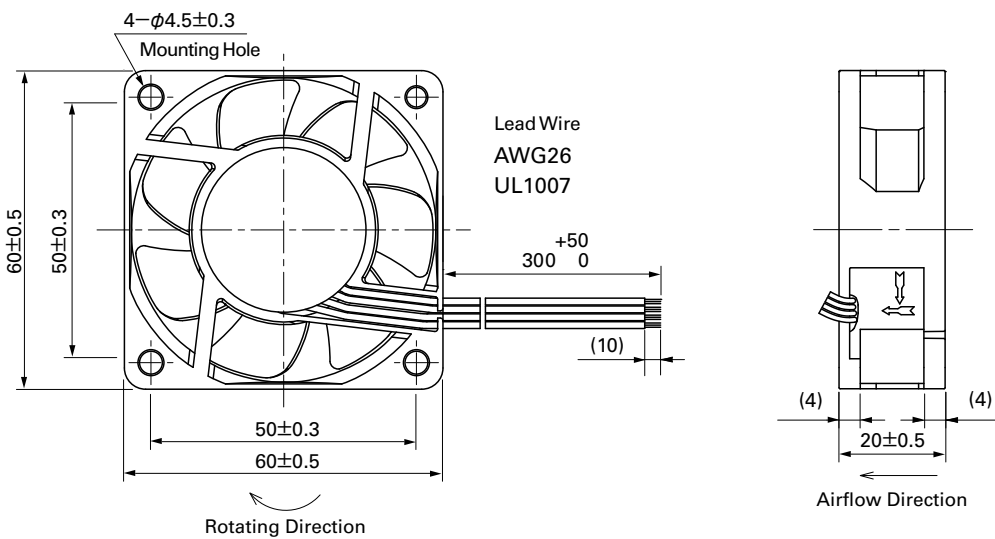
※PWM Frequency : 25kHz

The following nos. have pulse sensors and ribs.

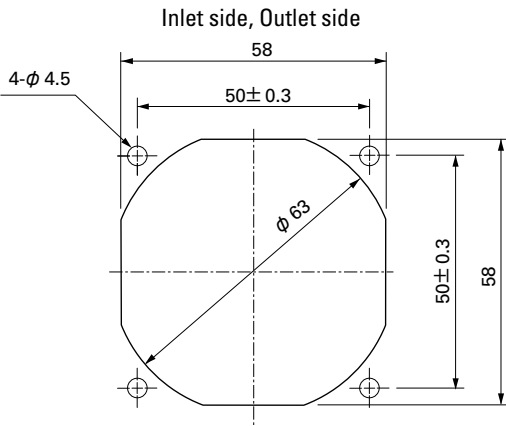
Model No.	Rated Voltage [V]	Operating Voltage Range [V]	Rated Current [A]	Rated Input [W]	Rated Speed [min ⁻¹]	Max. Airflow [m ³ /min] [CFM]	Max. Static Pressure [Pa] [inchH ₂ O]	SPL [dB(A)]	Operating Temperature [°C]	Expected Life [h]
9GA0612H6001	12	10.8 to 13.2	0.09	1.08	4,100	0.52 18.4	45 0.18	29	-20 to +70	60,000/60°C
9GA0612M6001			0.05	0.60	2,700	0.34 12.0	20 0.08	18		
9GA0624H6001	24	21.6 to 26.4	0.04	0.96	4,100	0.52 18.4	45 0.18	29		
9GA0624M6001			0.03	0.72	2,700	0.34 12.0	20 0.08	18		

Other sensor specifications are available as options. Please refer to the index (pp. 504 to 505).

Dimensions (unit: mm) (With PWM control function · With pulse sensor)



Reference Dimensions of Mounting Holes and Vent Opening (unit: mm)



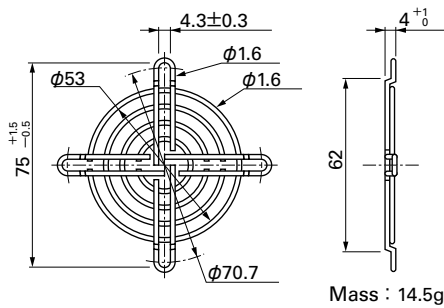
Options (unit: mm)

Finger Guards

Model : 109-139E Surface treatment : Nickel-chrome plating (silver)
 : 109-139H : Cation electropainting (black)

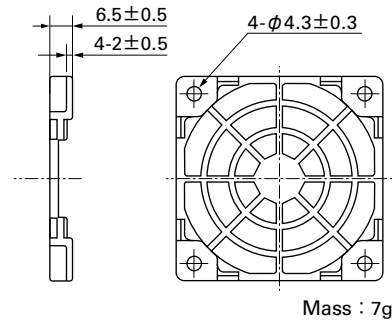
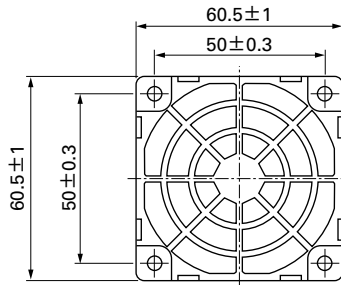
Color

Inlet side, Outlet side



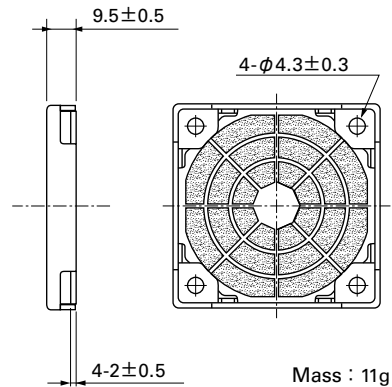
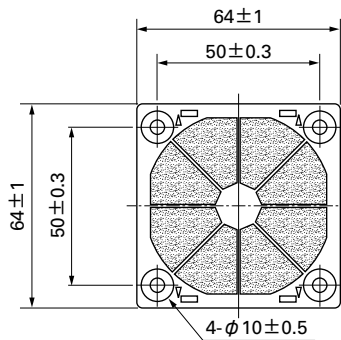
Resin Finger Guards

Model : 109-1003G



Resin Filter Kits

Model : 109-1003F13 (13PPI), 109-1003F20 (20PPI)
 : 109-1003F30 (30PPI), 109-1003F40 (40PPI)



60mm sq.

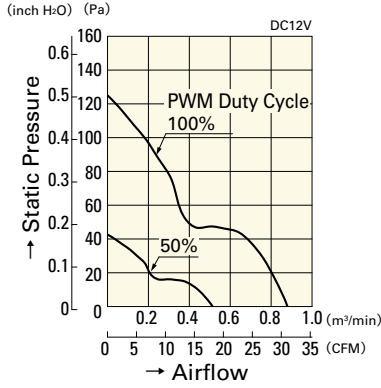
San Ace 60

60×60×20mm [Mass : 70g]

Airflow - Static Pressure Characteristics

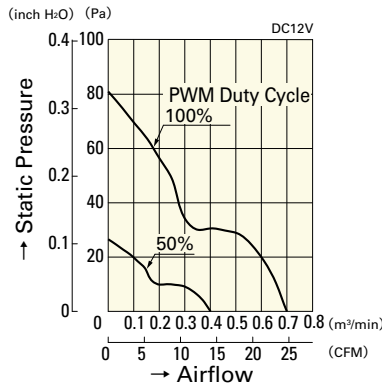
PWM Duty Cycle

With PWM control function · With pulse sensor



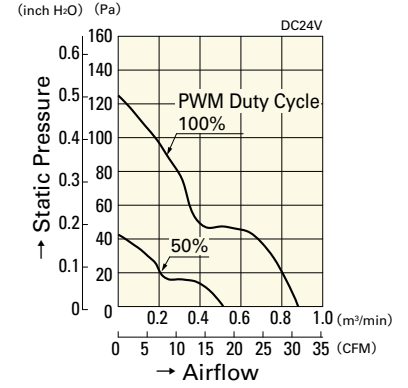
9GA0612P6G001

With PWM control function · With pulse sensor



9GA0612P6S001

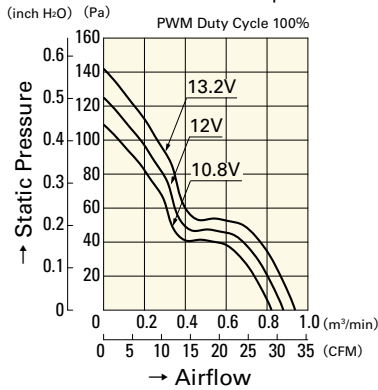
With PWM control function · With pulse sensor



9GA0624P6G001

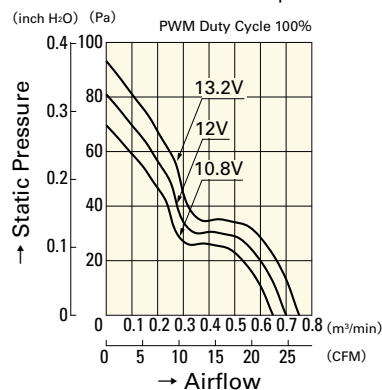
Operating Voltage Range

With PWM control function · With pulse sensor



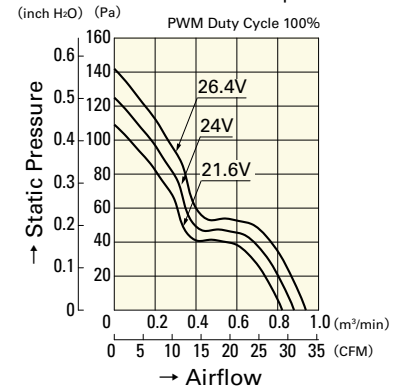
9GA0612P6G001

With PWM control function · With pulse sensor



9GA0612P6S001

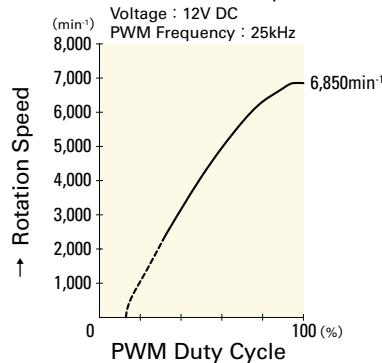
With PWM control function · With pulse sensor



9GA0624P6G001

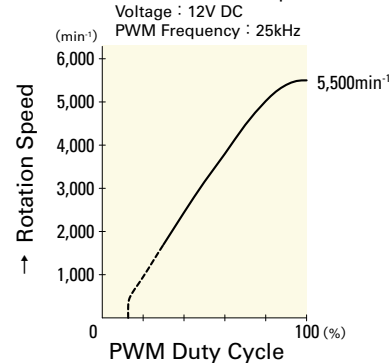
PWM Duty - Speed Characteristics Example

With PWM control function · With pulse sensor



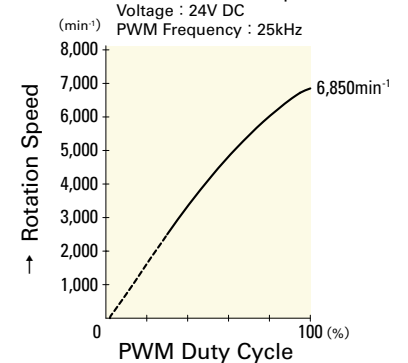
9GA0612P6G001

With PWM control function · With pulse sensor



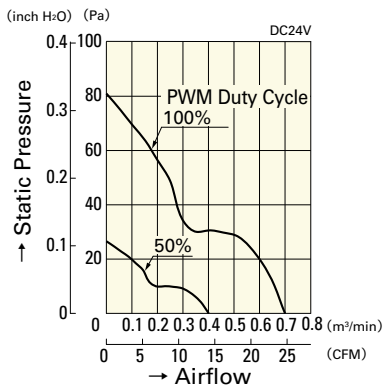
9GA0612P6S001

With PWM control function · With pulse sensor



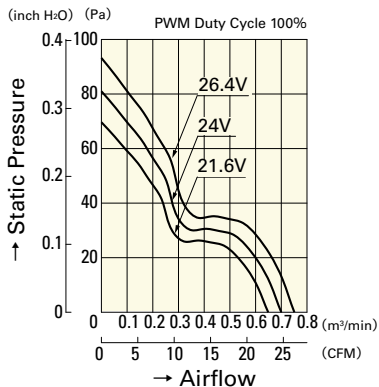
9GA0624P6G001

With PWM control function · With pulse sensor



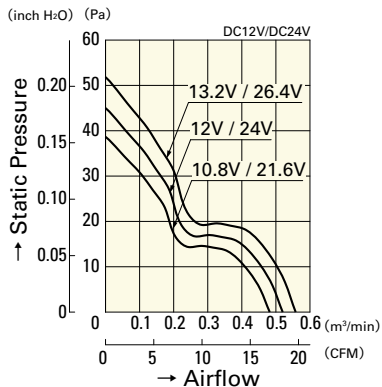
9GA0624P6S001

With PWM control function · With pulse sensor



9GA0624P6S001

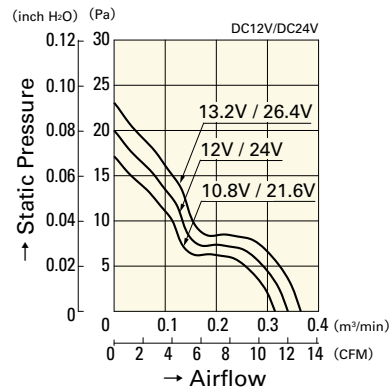
With pulse sensor



9GA0612H6001

9GA0624H6001

With pulse sensor

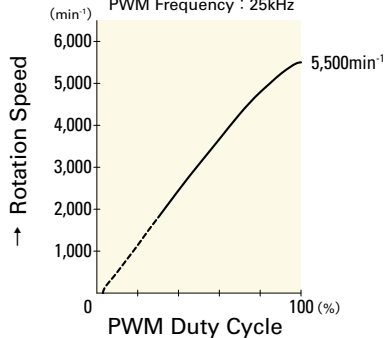


9GA0612M6001

9GA0624M6001

With PWM control function · With pulse sensor

Voltage : 24V DC
PWM Frequency : 25kHz



9GA0624P6S001